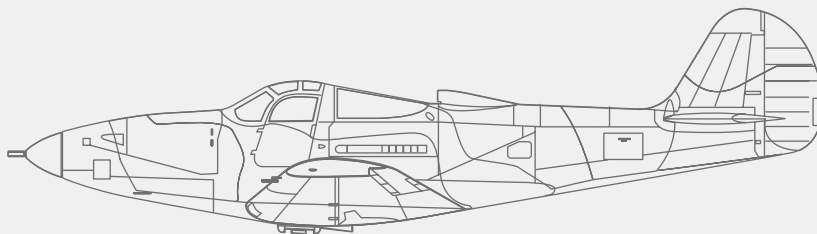


# FLIGHT MANUAL

## AIRACOBRA /// P42

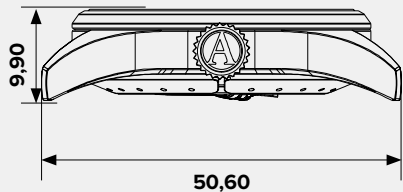
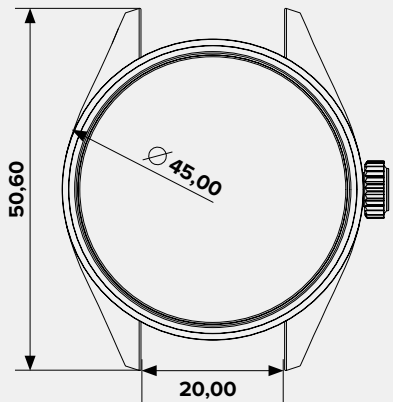


**MANUFACTURER:** AVIATOR WATCH SA

**AIRCRAFT TYPE:** AIRACOBRA P-39

**REFERENCE NUMBERS:** V.1.22.0.148.4, V.1.22.0.149.4,  
V.1.22.0.150.4, V.1.22.2.151.4, V.1.22.8.151.4, V.1.22.2.152.4,  
V.1.22.0.190.4, V.1.22.0.148.5, V.1.22.0.149.5, V.1.22.0.150.5,  
V.1.22.2.151.5, V.1.22.8.151.5, V.1.22.2.152.5, V.1.22.0.190.5

## DIMENSIONAL DATA



## TECHNICAL SPECIFICATIONS

### Functions

Hours, minutes, seconds, oversized date display

### Movement type

Quartz, ETA F06.161

### Crown

Screw-locked / two gaskets

### Crystal

Sapphire crystal / glare-proofed / scratch-resistant

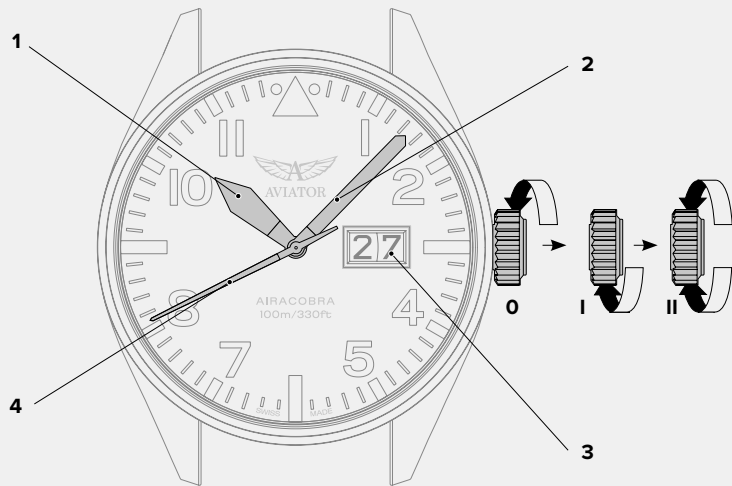
### Water resistant

100 M (330 ft)

## INTERFACE LAYOUT



- |   |                       |                |   |
|---|-----------------------|----------------|---|
| 1 | Hour hand             | Seconds hand   | 4 |
| 2 | Minute hand           | Screw-in crown | 5 |
| 3 | Oversize date display |                |   |



- |   |                       |                       |    |
|---|-----------------------|-----------------------|----|
| 1 | Hour hand             | Working position      | 0  |
| 2 | Minute hand           | Date setting position | I  |
| 3 | Oversize date display | Time setting position | II |
| 4 | Seconds hand          |                       |    |

## BASIC FUNCTIONS

### STARTING THE WATCH

Your AVIATOR watch is battery-powered with power reserve up to 68 months. If you envisage not wearing your AVIATOR watch for several weeks or months, we would advise you to store it with the crown pulled out into position II. This cuts the electrical power supply to the motor, consequently extending the battery life.



When wearing the watch, always return the crown to position 0 to ensure your watch is water resistant.

### DATE SETTING

First, set the time to 12 midnight in order to know the exact starting point of 24 hours. To set the date on your AVIATOR watch, pull the crown to position I, turn the crown backward to choose the correct date. Once the date is set correctly, push the crown to position II and set the time. When you finish the set-up, do not forget to push the crown back to position 0.



If a month has fewer than 31 days, you will need to set the date manually to the first day of the following month.

### TIME SETTING

Pull out the crown to position II. This will stop the movement to set the time accurately to the second. It is the best to stop the movement as the seconds hand passes "60". Now move the minute hand a little bit beyond the time to be set. Then adjust the position of minute hand by moving it backward to the correct minute stroke. This ensures that the minute hand starts to move just when you restart the movement. To make the watch working again push the crown back to position 0.